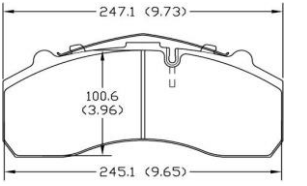

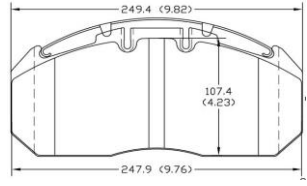

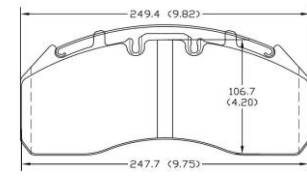

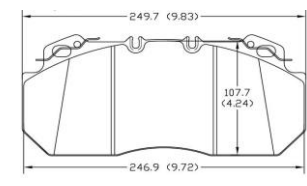
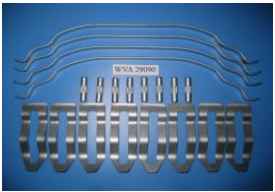
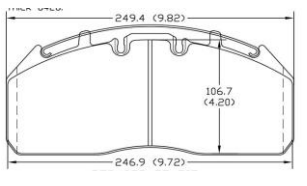

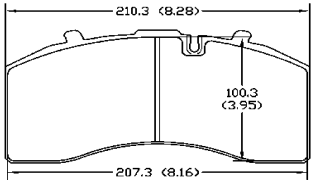

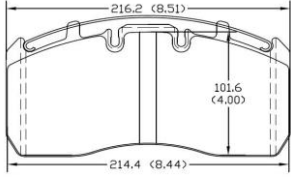

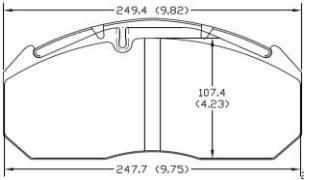

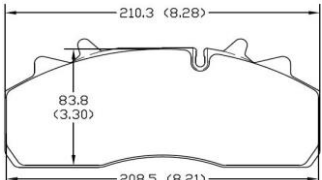

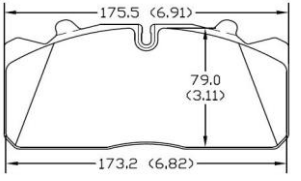

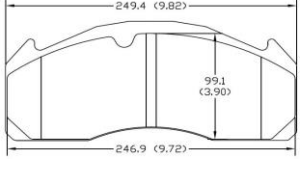



MaxPower Friction Air Disc Brake Pads Catalog

No.	FMSI No.	WVA	FMSI Drawing	Dimension (mm)			Caliper Model	Kits Accessories	MPFI Tooling
				Length	Width	Thickness			
1	8323-D1203	29087/29105/29106/29108/29109/ 29163/29179/29201/29202/29275		247.2	109.5	30.0	KNORR BREMSE SB7,SN7		Available
2	8425-D1310	29131/29156		249.4	117.9	30.0	Lucas Elsa 2		Available
3	8426-D1311	29187		249.4	116.6	28.9	Meritor EX225 H2		Available
4	8427-D1312	29090		249.7	114.3	28.1	Meritor D-Lisa		Available
5	8435-D1323	29188		249.4	116.6	30.0	Meritor Ex225,H3 Transit		Available

6	8479-D1369	29158		210.3	107.7	29.6	KNORR BREMSE ADB22X,SK7		Available
7	8480-D1370	29189		215.8	111.4	29.0	Meritor EX225 L series		Available
8	8515-D1407	29030/29083/29113		249.4	118.1	28.0	Meritor D-Elsa 1		Available
9	8556-D1438	29126/29159		210.3	92.7	29.3	Wabco Pan 19-1		Available
10	8727-D1518	29088		175.5	85.9	26.0	Wabco Pan 17		Available
11	8771-D1560	29125/29222/29224/29227		249.4	111.5	29.0	Meritor D DUCO		Available

12	9294-D2061	29279		210.3	108.0	29.3	Wabco MAXXUS		Available
13	9007-D1777	29162		210.3	108.0	31.4	Wabco Pan 22T Pan22/Pan 22-1		Available
14	8931-D1708	29174/29219/29204/29218/29226		247.4	109.5	28.9	Meritor Elsa 225-3		Available